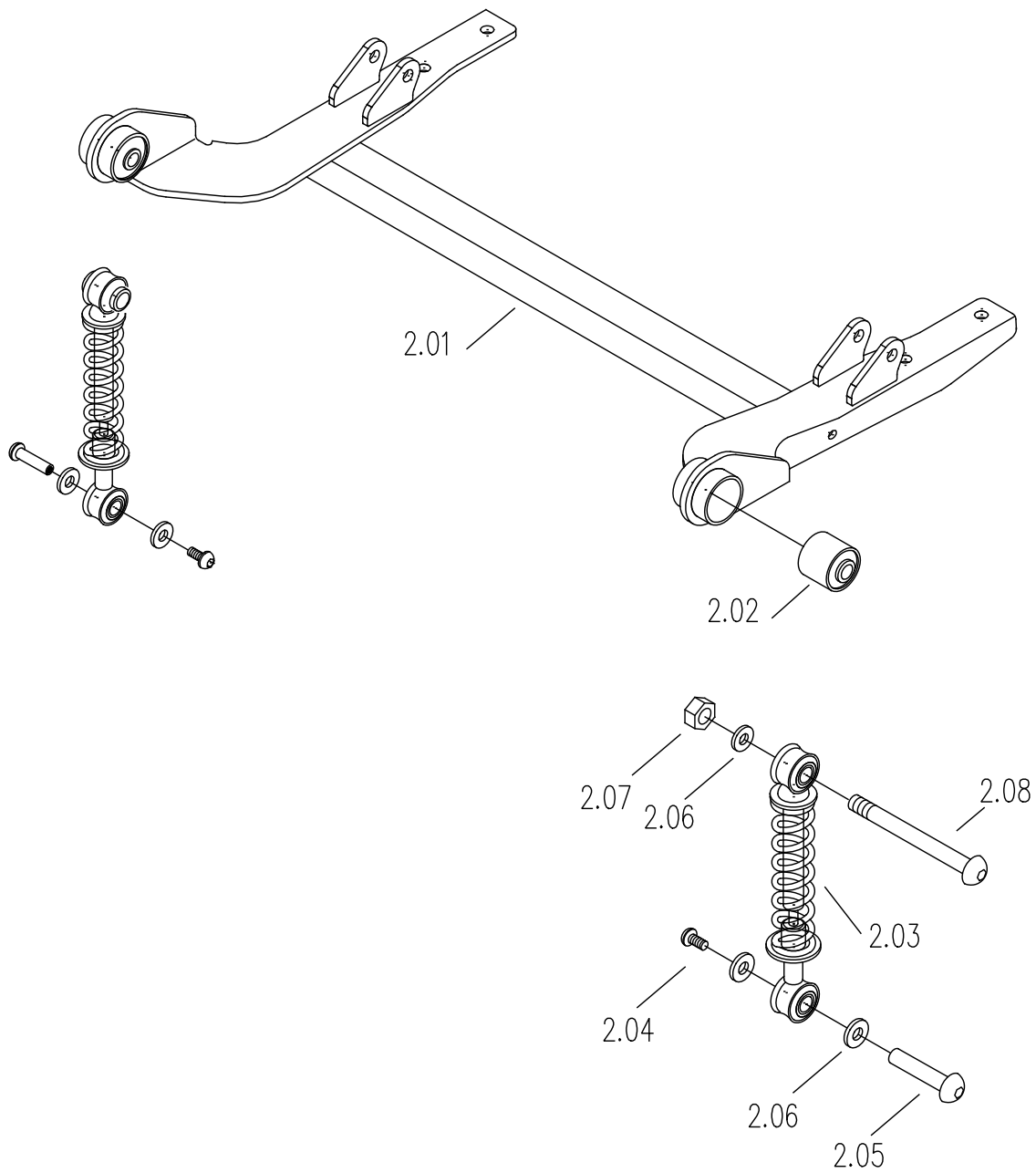


# Rear frame ass'y

Drawing No:	S31A9
Issue Date:	05/15/2004
Version:	0

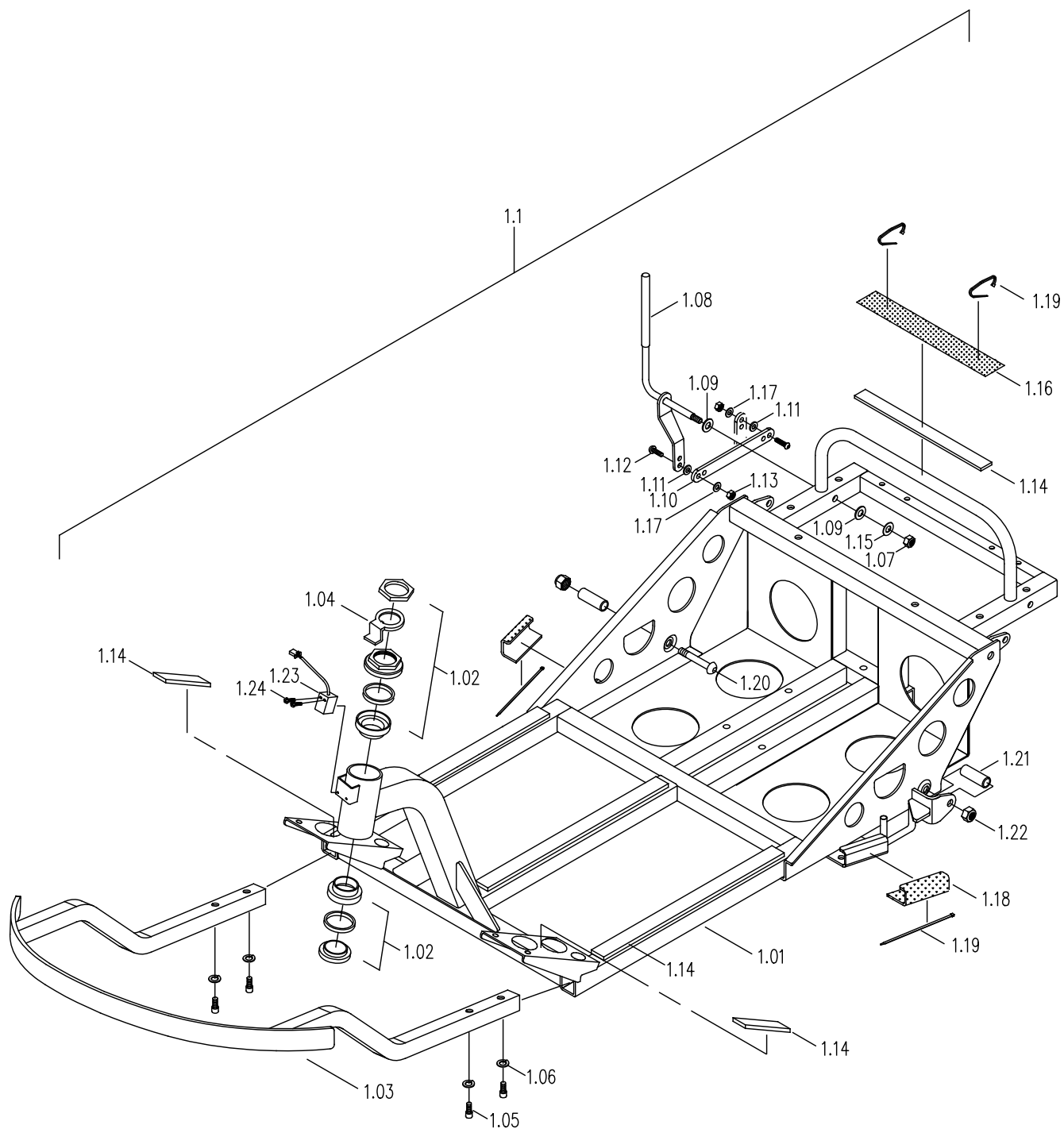


# Front Frame Ass'y

Drawing No: S31AA

Issue Date: 13/01/2015

Version: 04

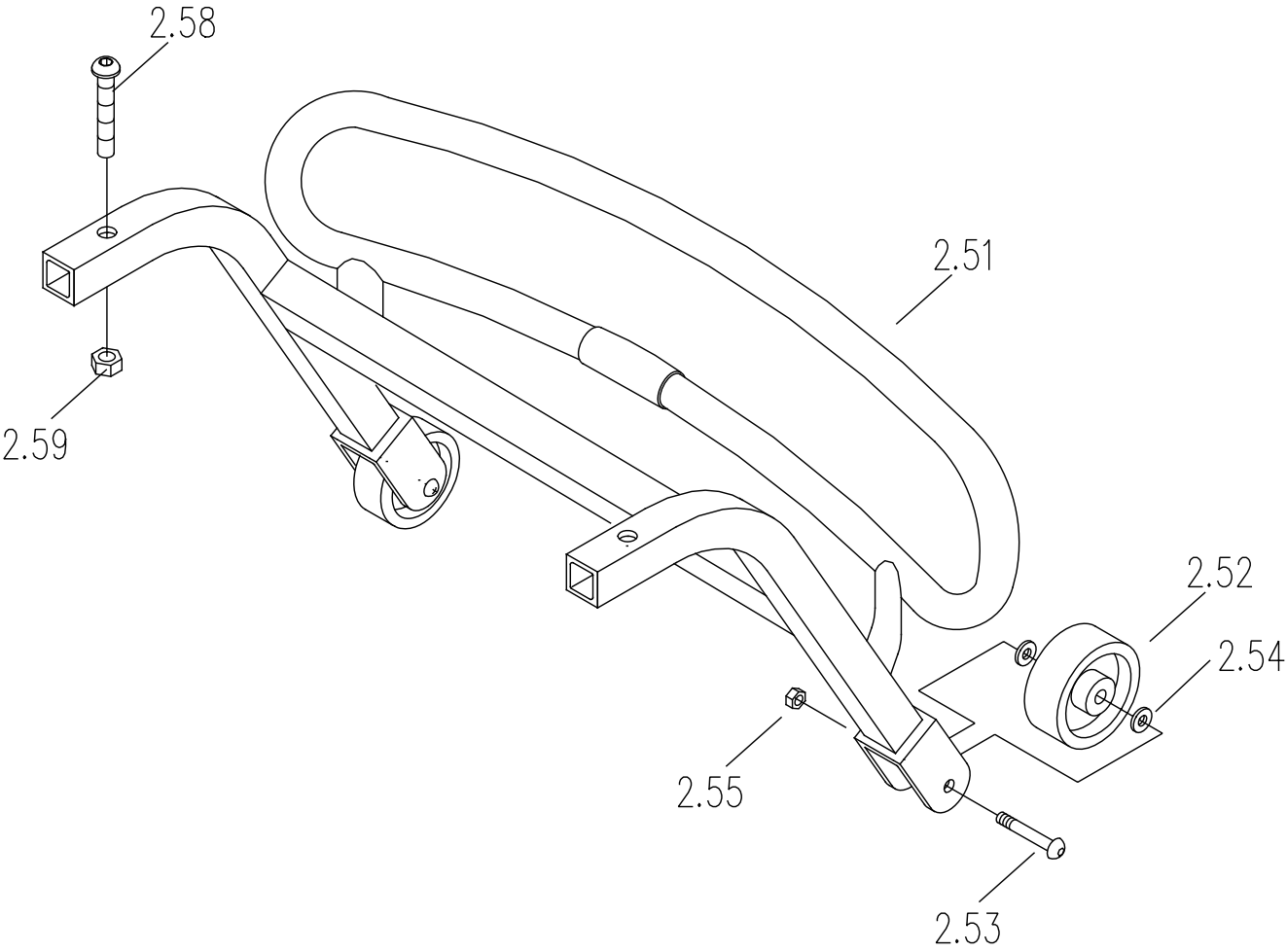


# Rear bumper ass'y

Drawing No: S31B1

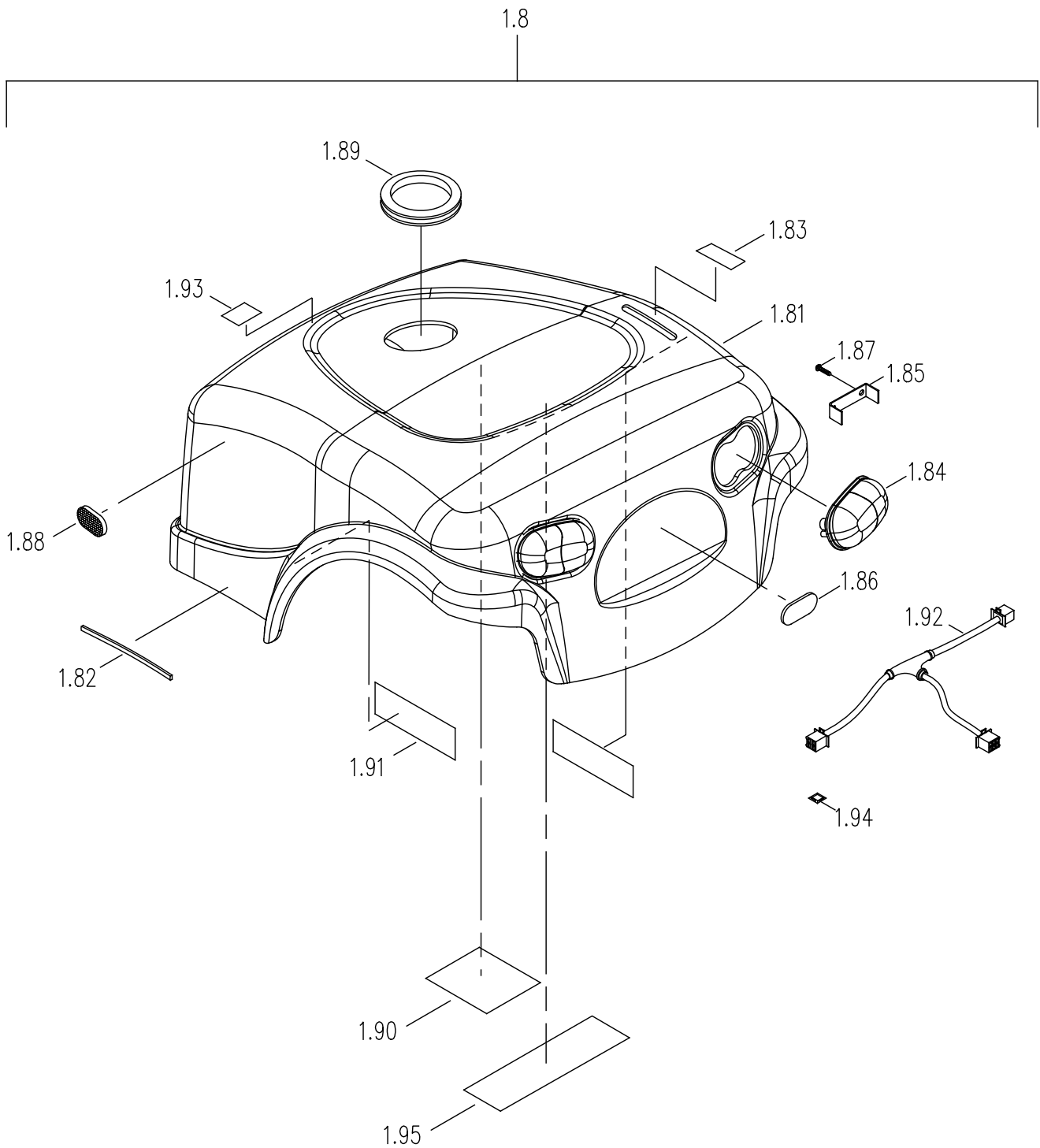
Issue Date: 12/24/2008

Version: 02



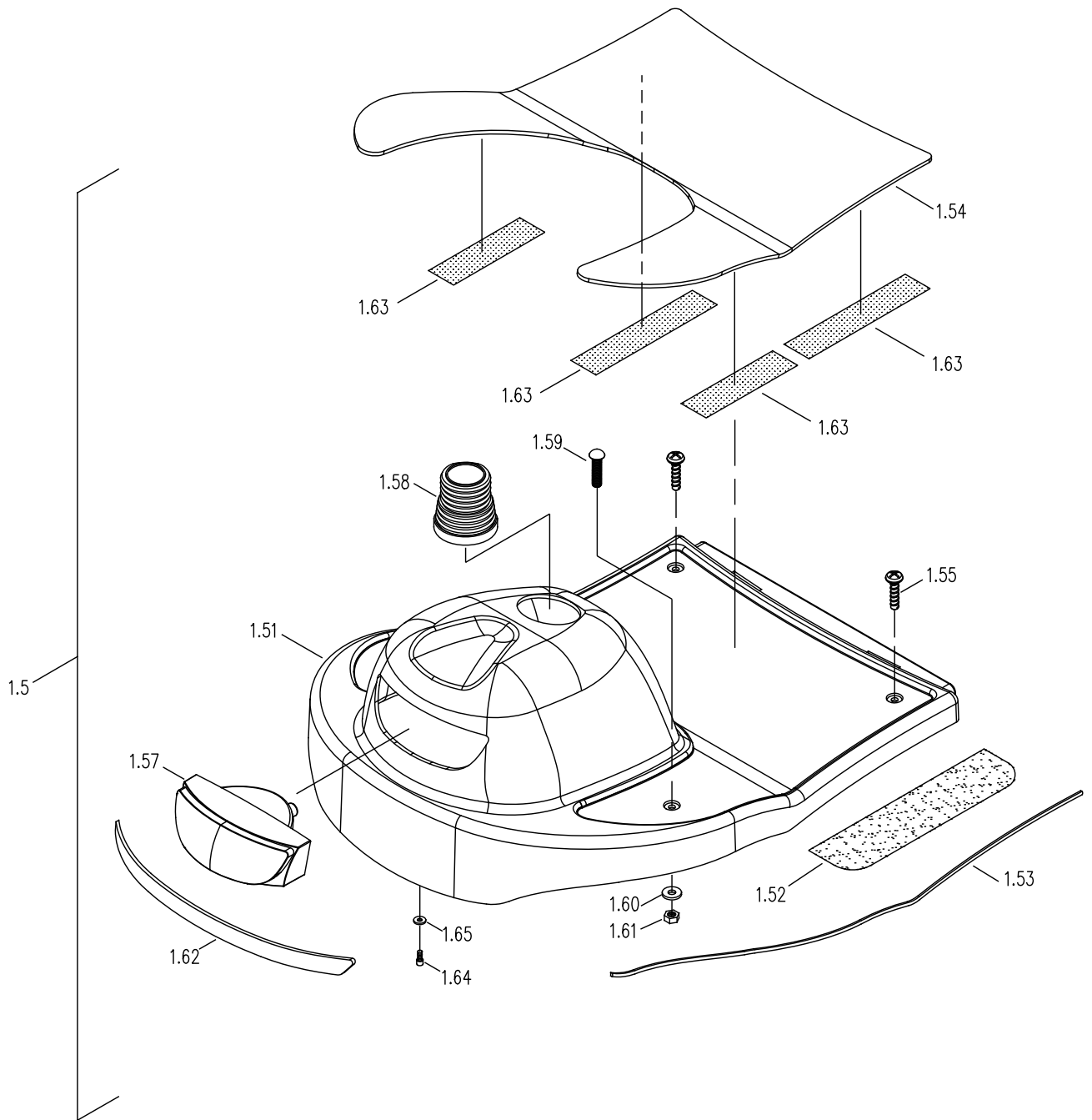
# Rear Shroud Ass'y

Drawing No:	S31FZ21
Issue Date:	20/05/2015
Version:	00



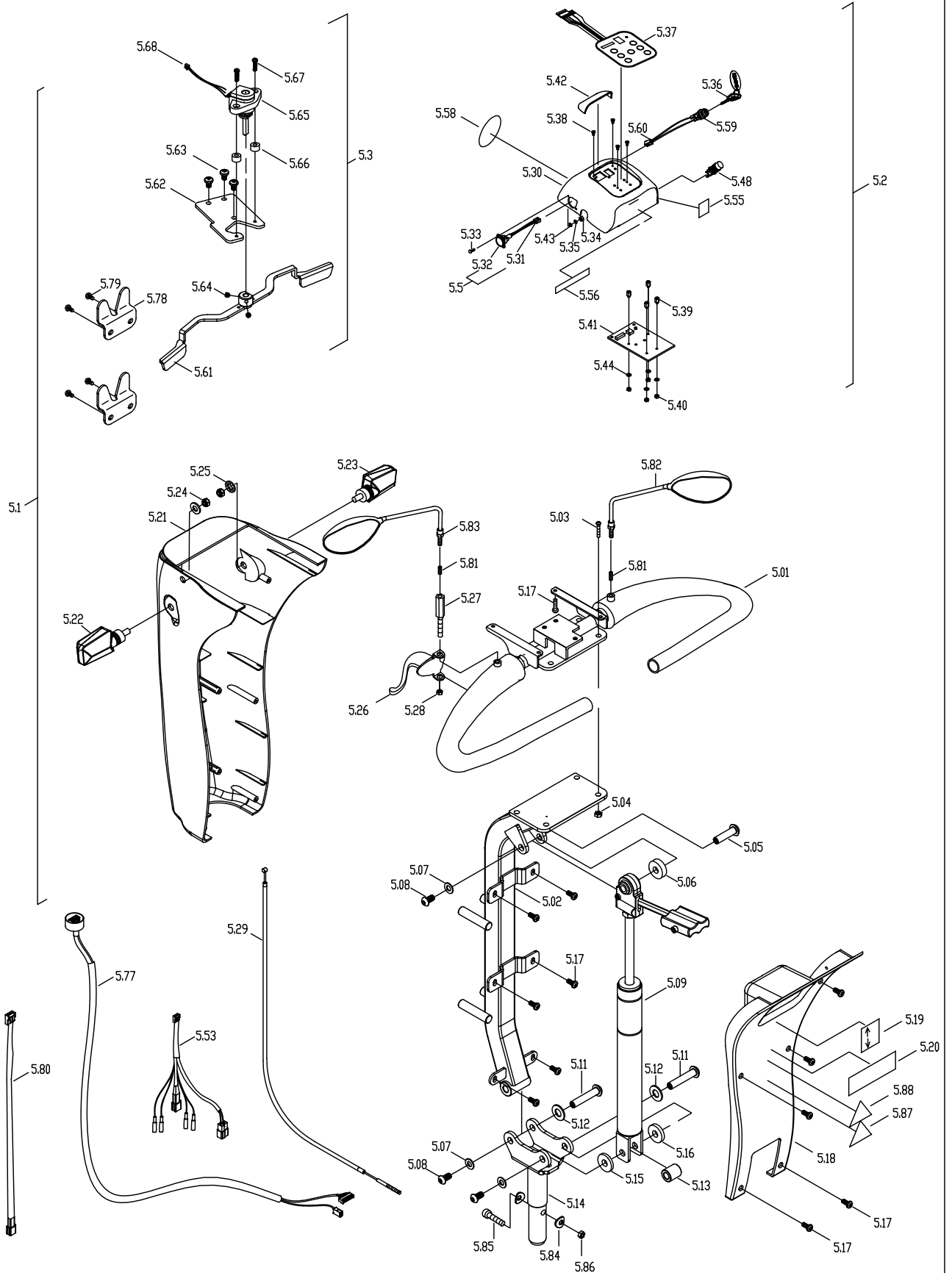
# Front Shroud Ass'y

Drawing No: S31FZ22  
Issue Date: 26/05/2015  
Version: 00



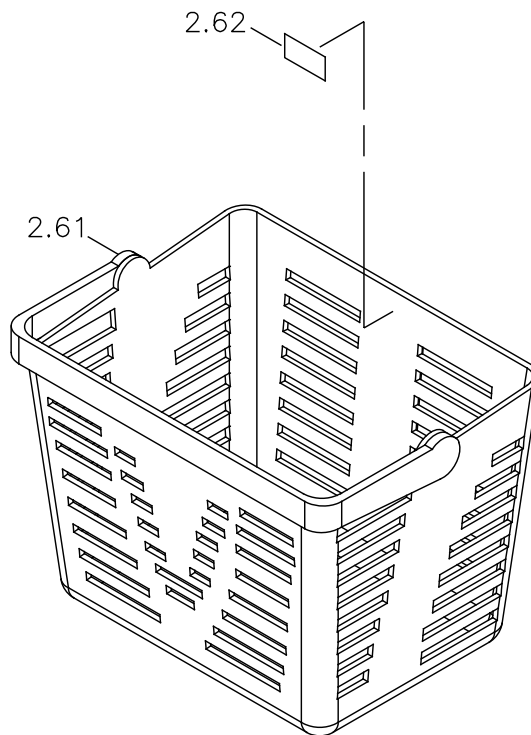
# Tiller Ass'y

Drawing No:	S32CZ16
Issue Date:	19/05/2015
Version:	00



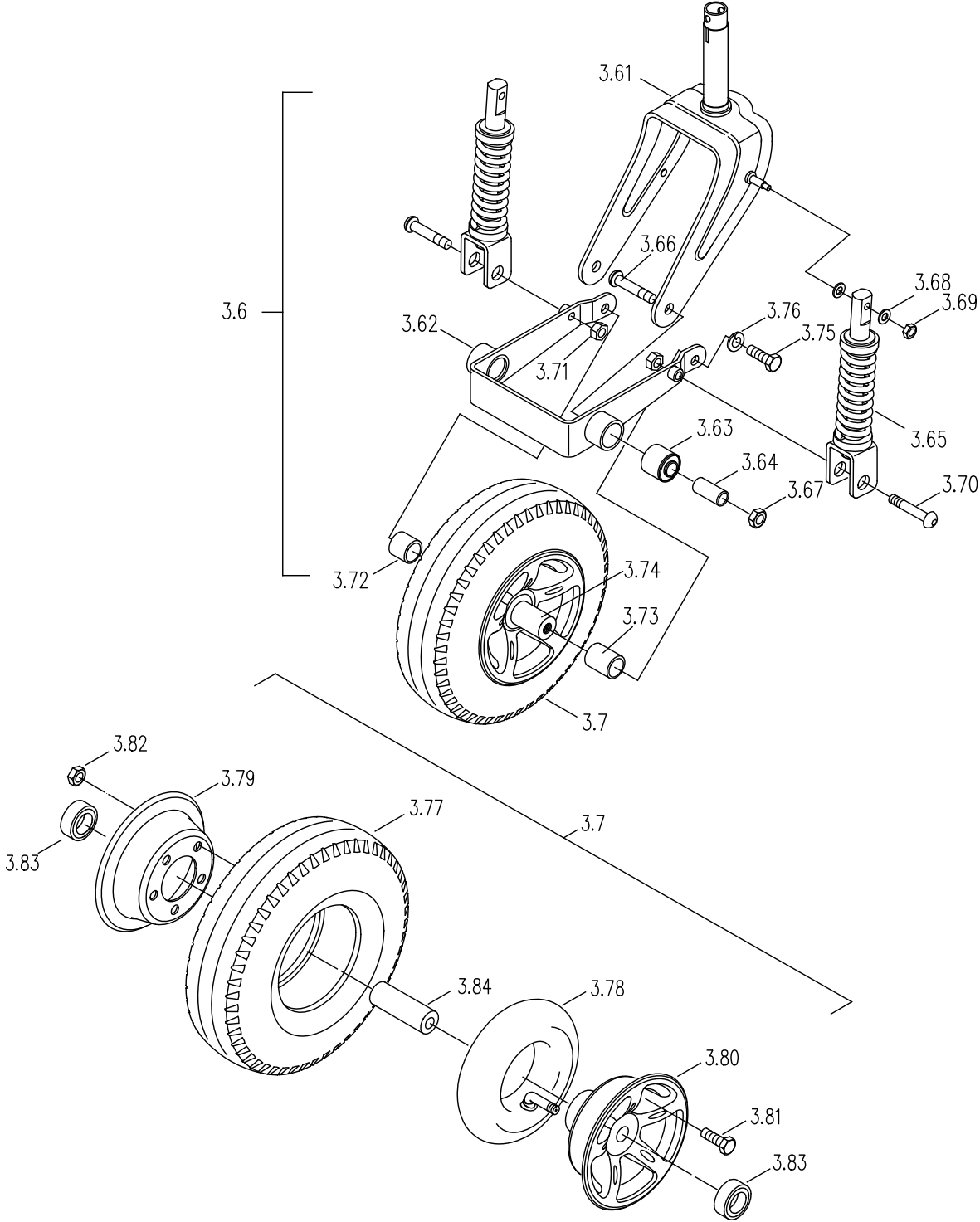
# Basket Ass'y.

Drawing No: S32E6  
Issue Date: 01/08/2014  
Version: 00



# Front Wheel Ass'y

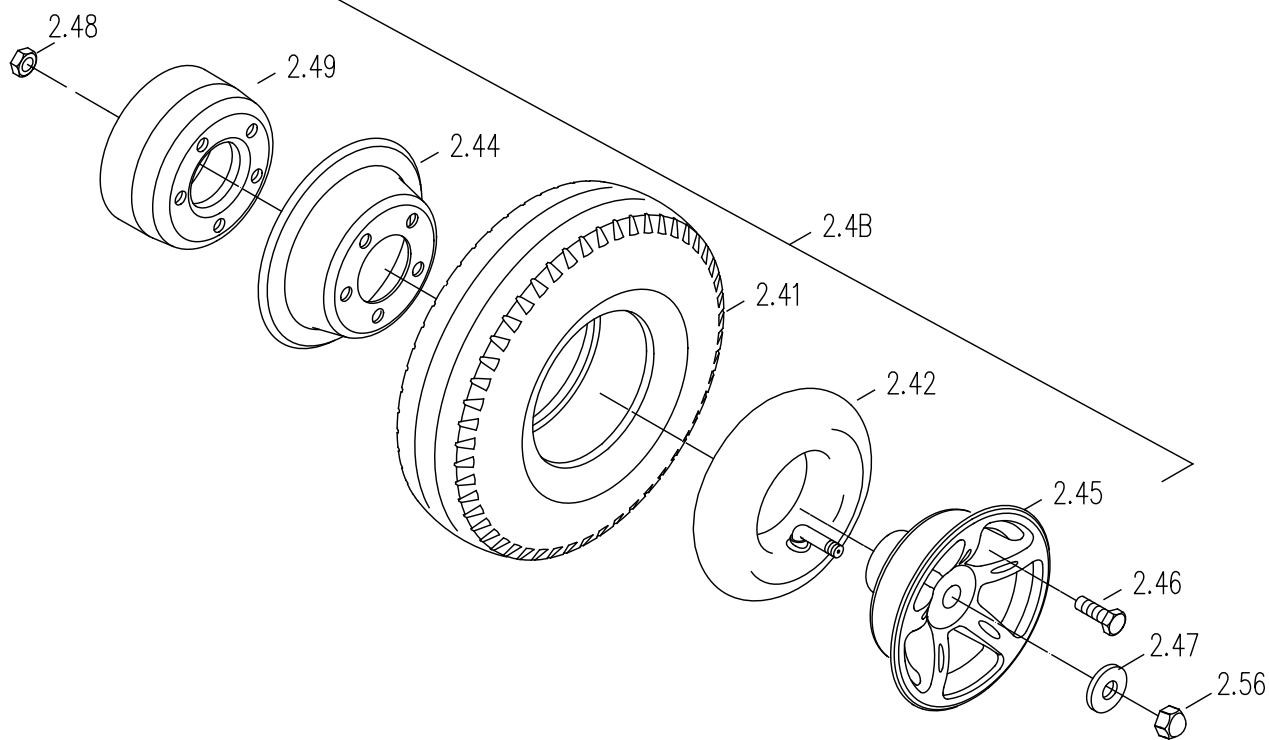
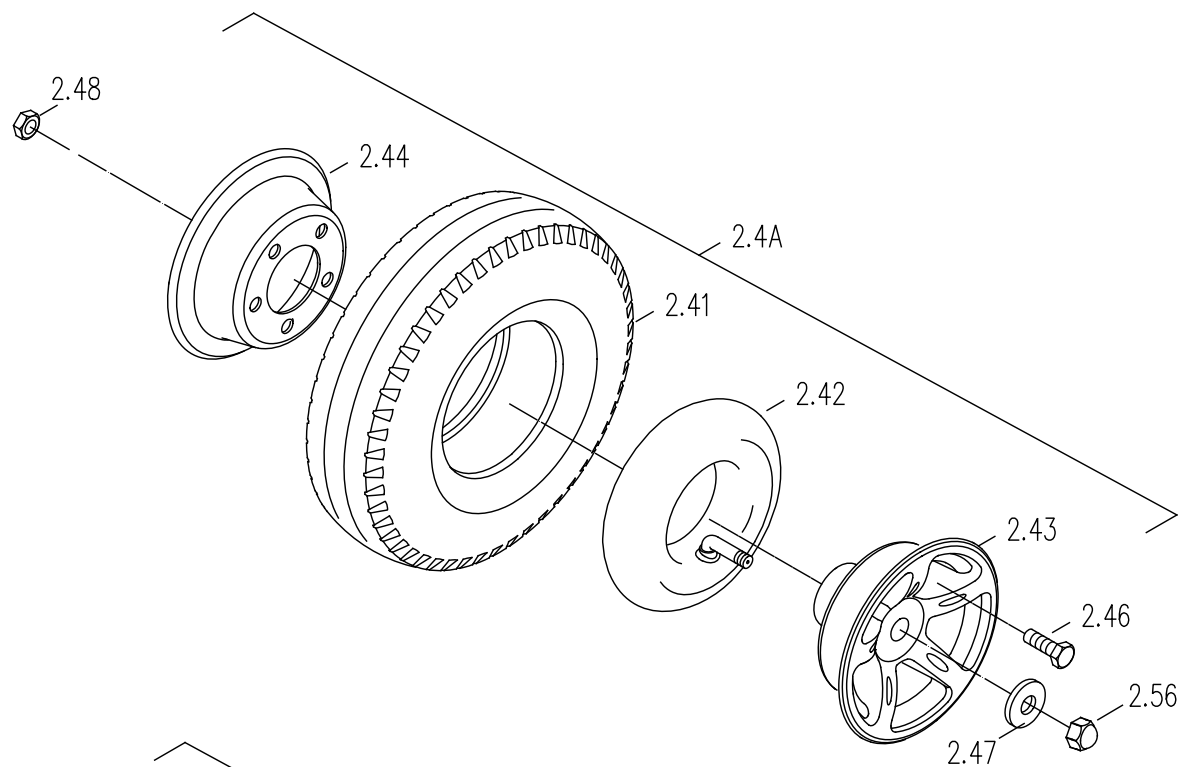
Drawing No: S33BI  
Issue Date: 13/01/2015  
Version: 00





# Rear wheel ass'y

Drawing No:	S33C4
Issue Date:	01/09/2009
Version:	05

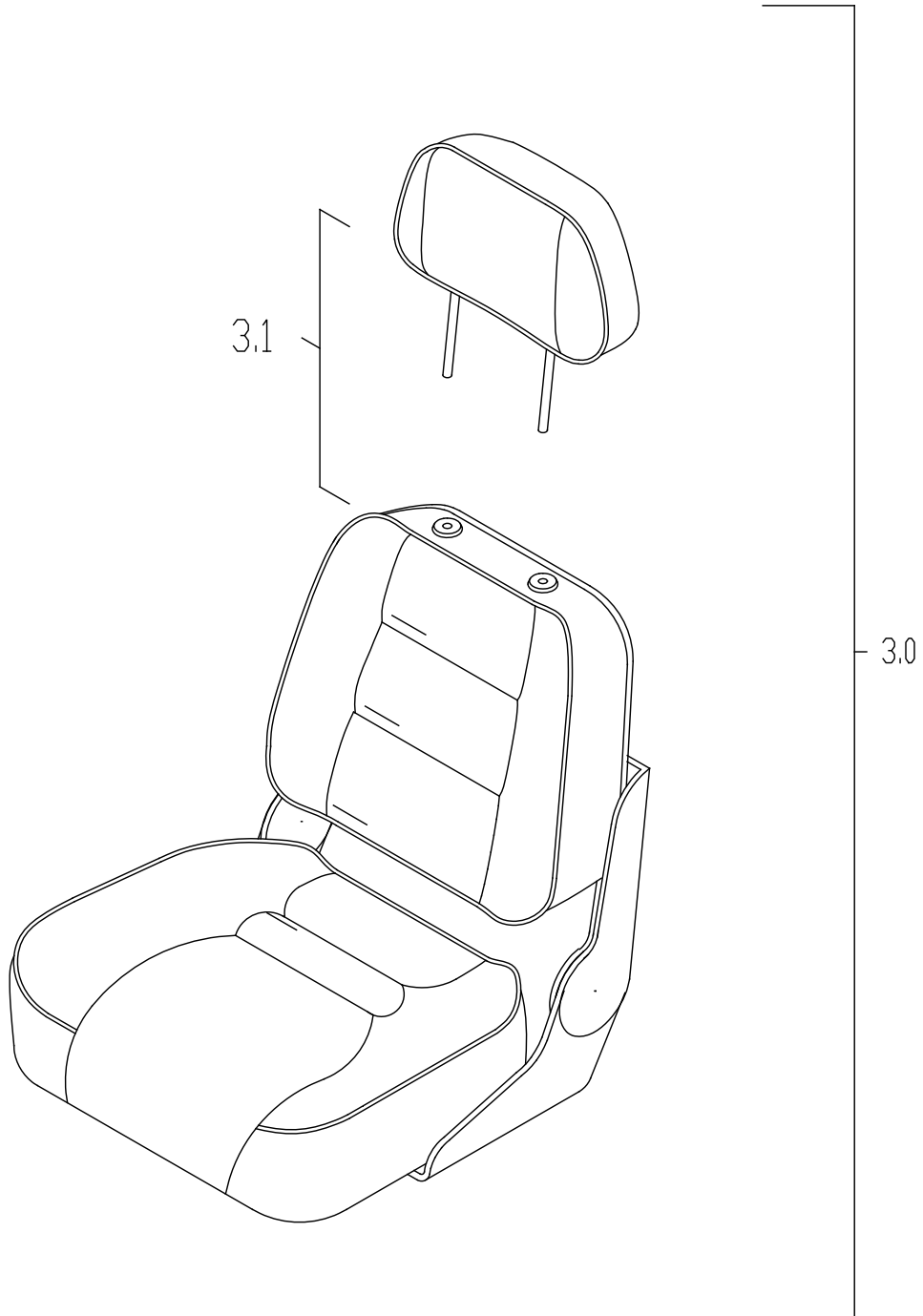


# Seat ass'y

Drawing No: S34A1

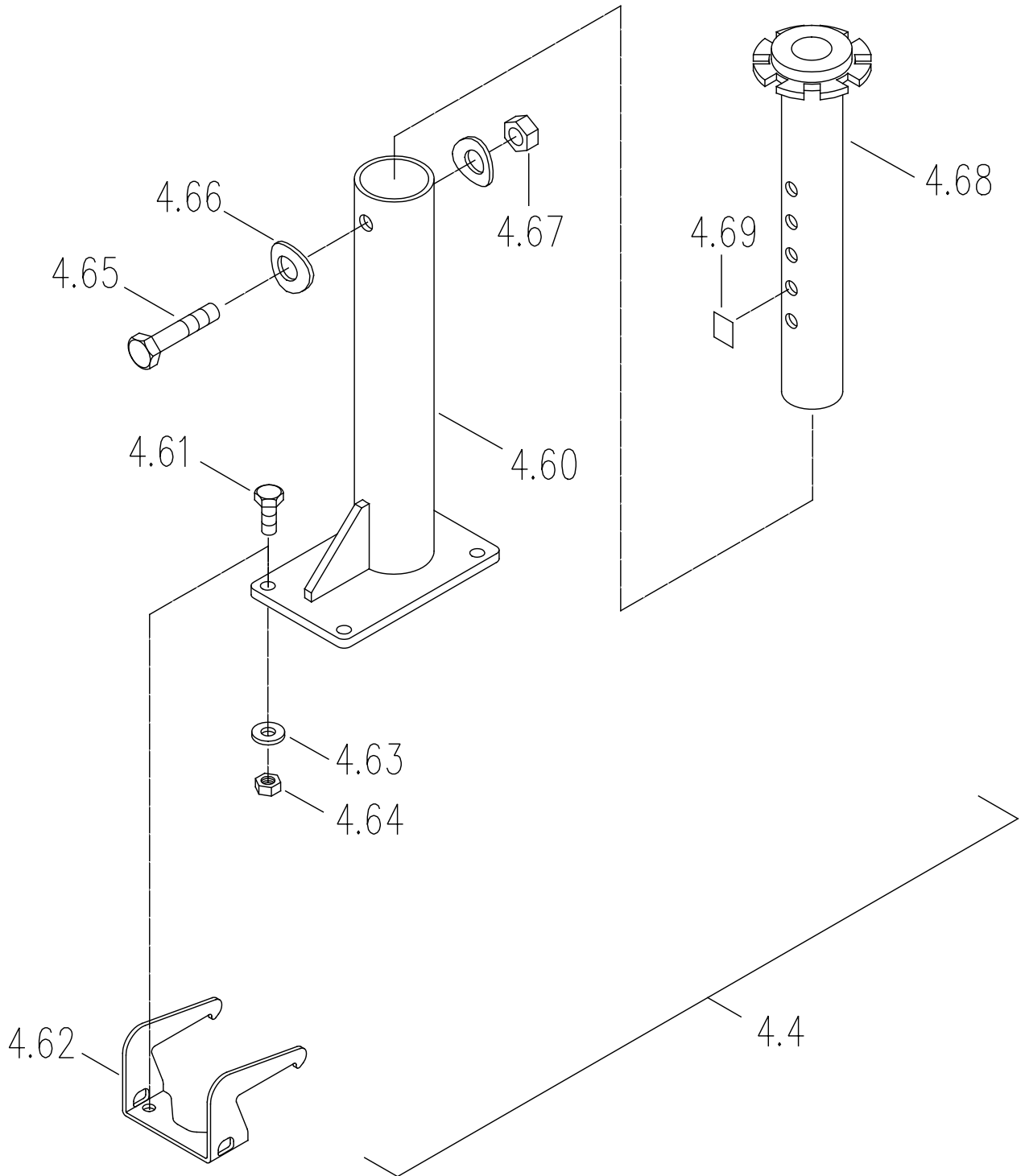
Issue Date: 10/13/2003

Version: 0



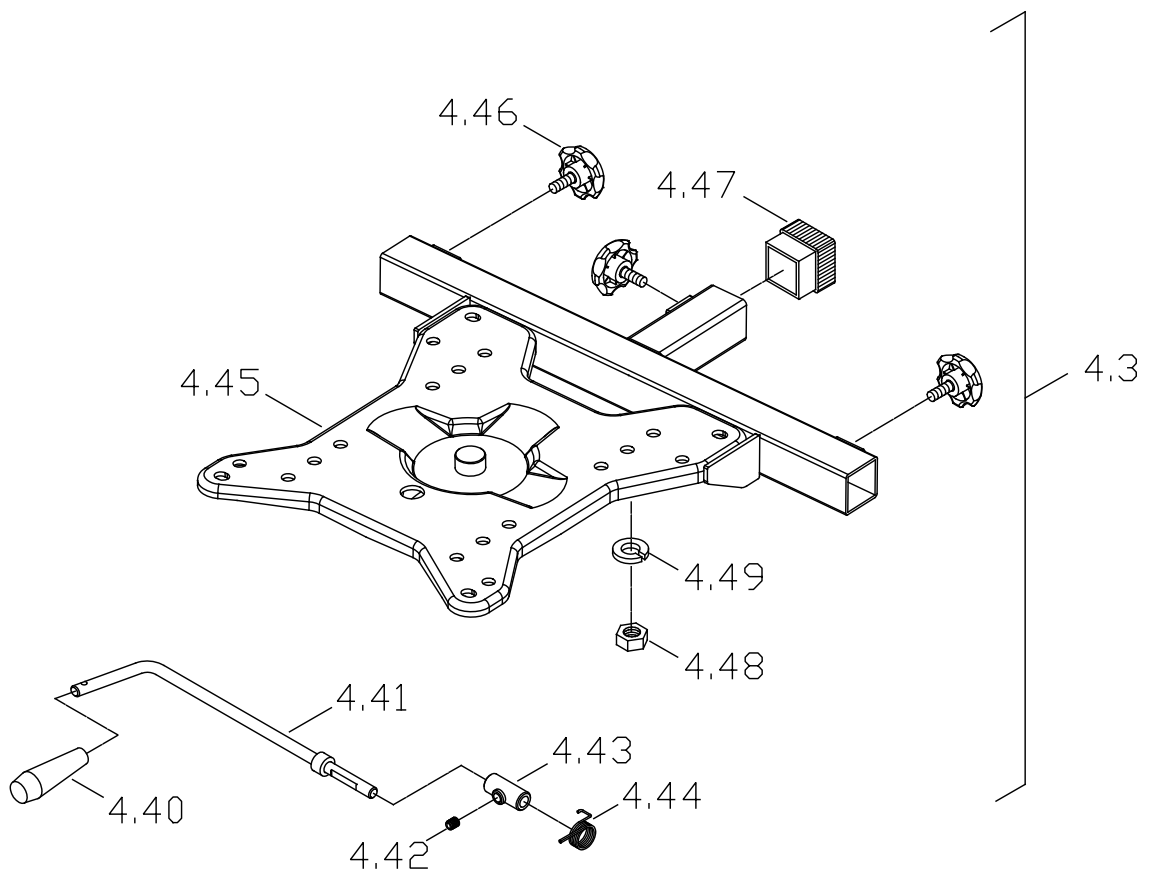
# Seat Post Ass'y

Drawing No: S34B5  
Issue Date: 30/07/2014  
Version: 00



# Seat Base Plate Ass'y

Drawing No: S34C3  
Issue Date: 08/04/2014  
Version: 00

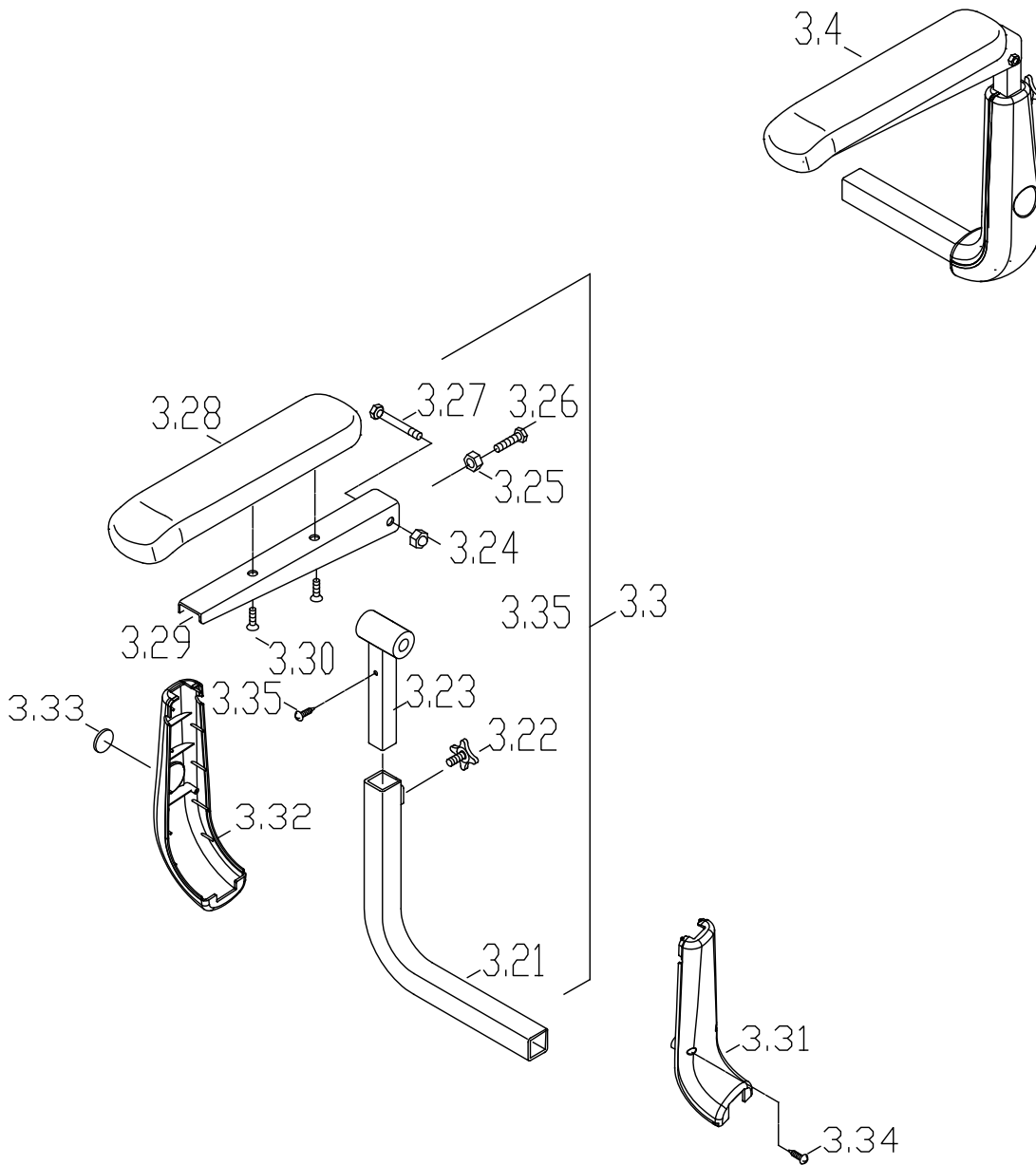


# Armrest ass'y

Drawing No: S34E1

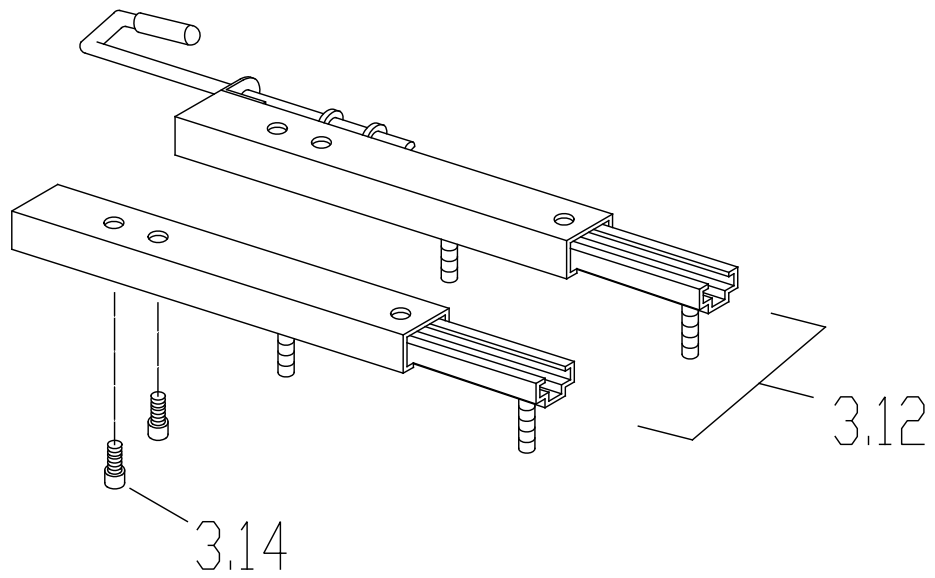
Issue Date: 04/14/2009

Version: 03



# Slide Mech, Ass'y., Seat

Drawing No:	S34G2
Issue Date:	08/04/2014
Version:	01

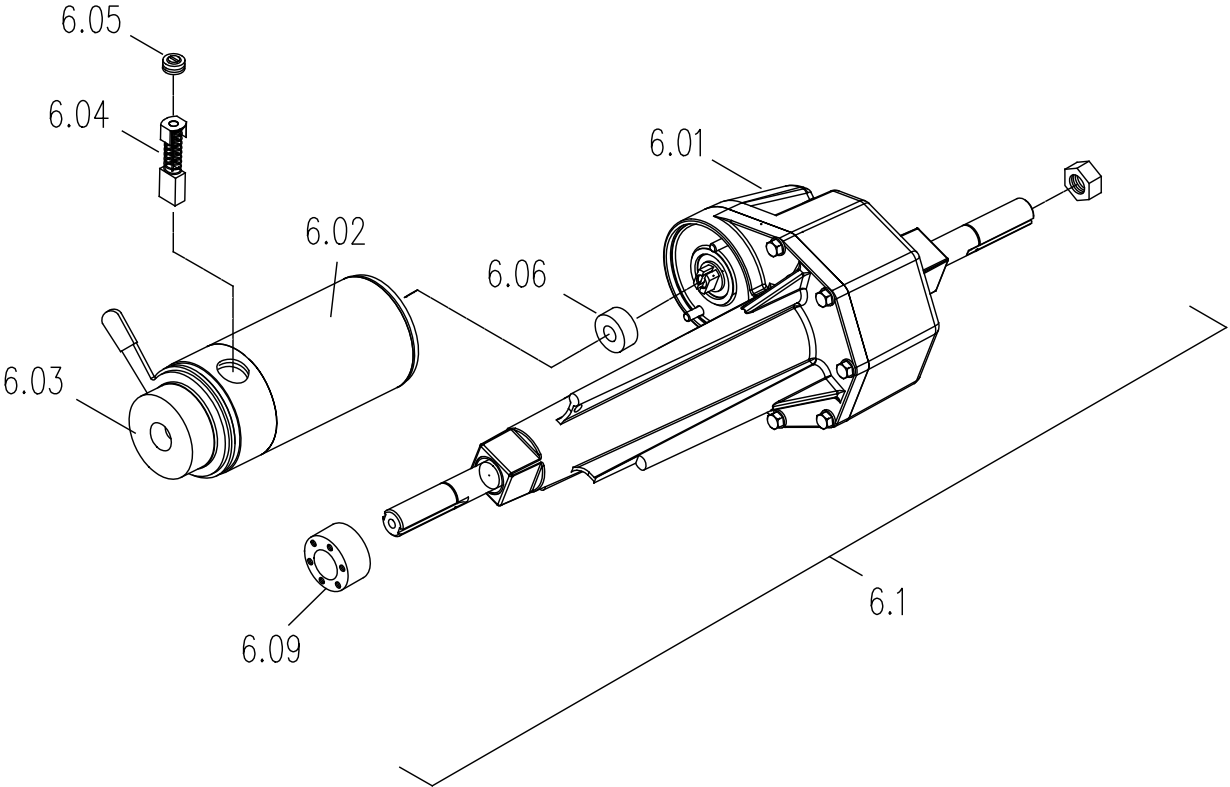


# Motor & Transaxle ass'y

Drawing No: S35B7

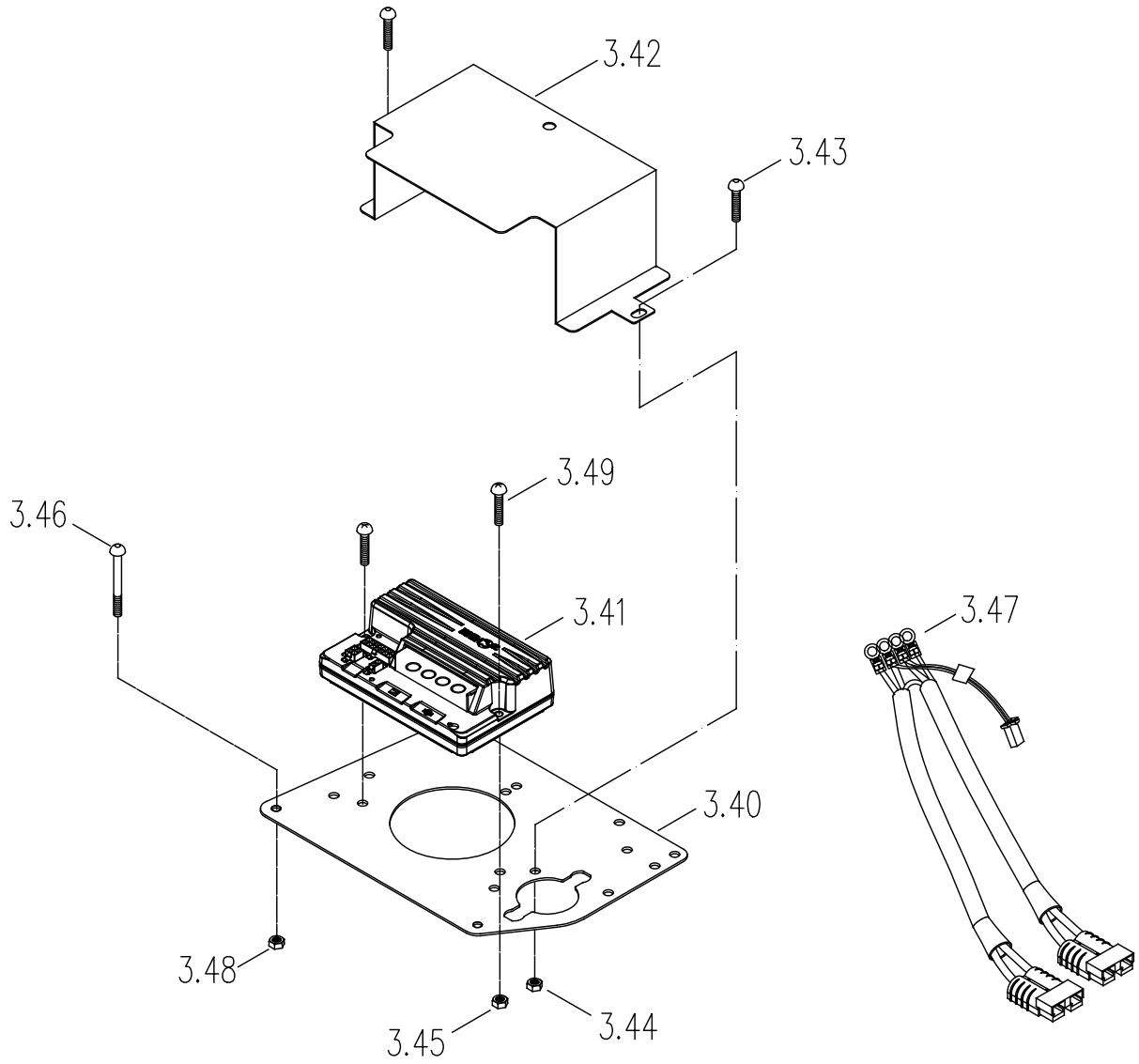
Issue Date: 12/23/2008

Version: 01



# Controller

Drawing No:	S35CL
Issue Date:	07/04/2014
Version:	01



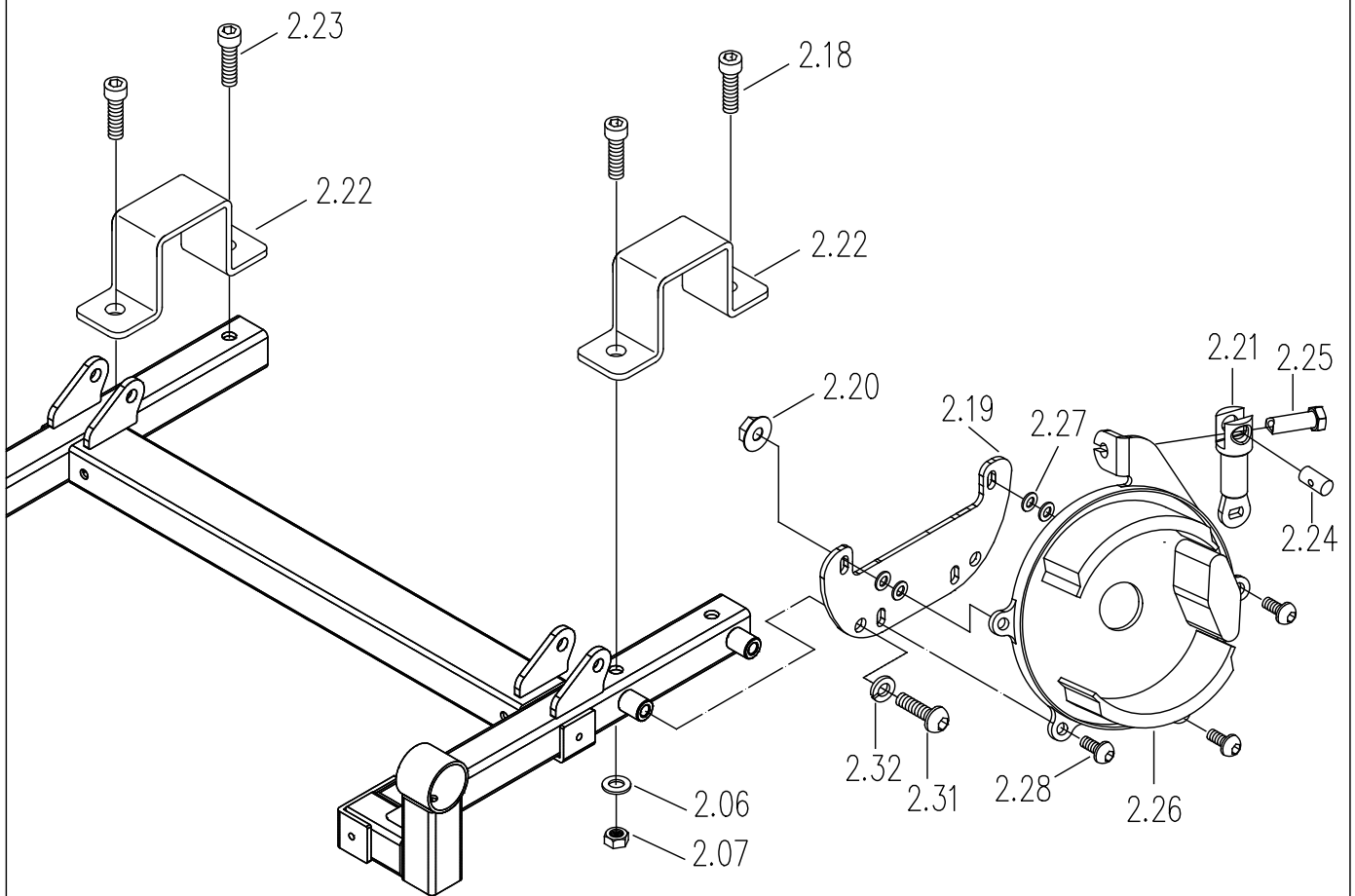


# Brake Ass'y

Drawing No: S36A1

Issue Date: 28/05/2015

Version: 04

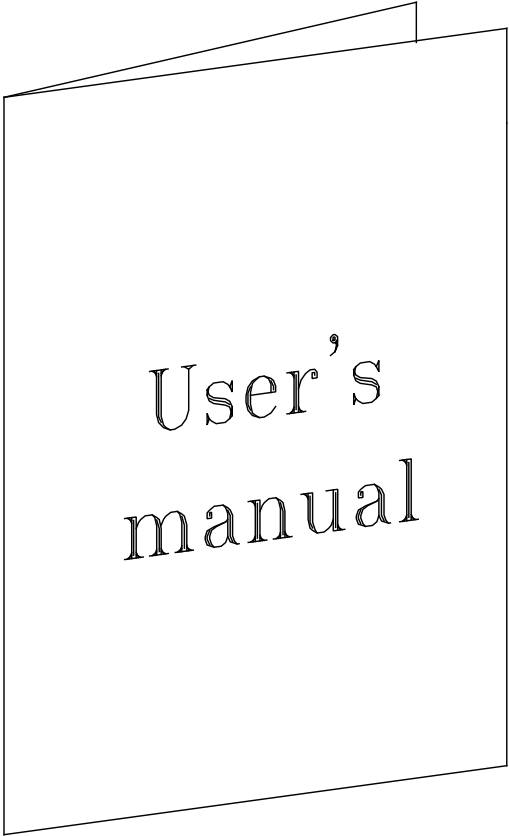


# User's Manual

Drawing No: S39B4

Issue Date: 05/15/2004

Version: 0



8.2

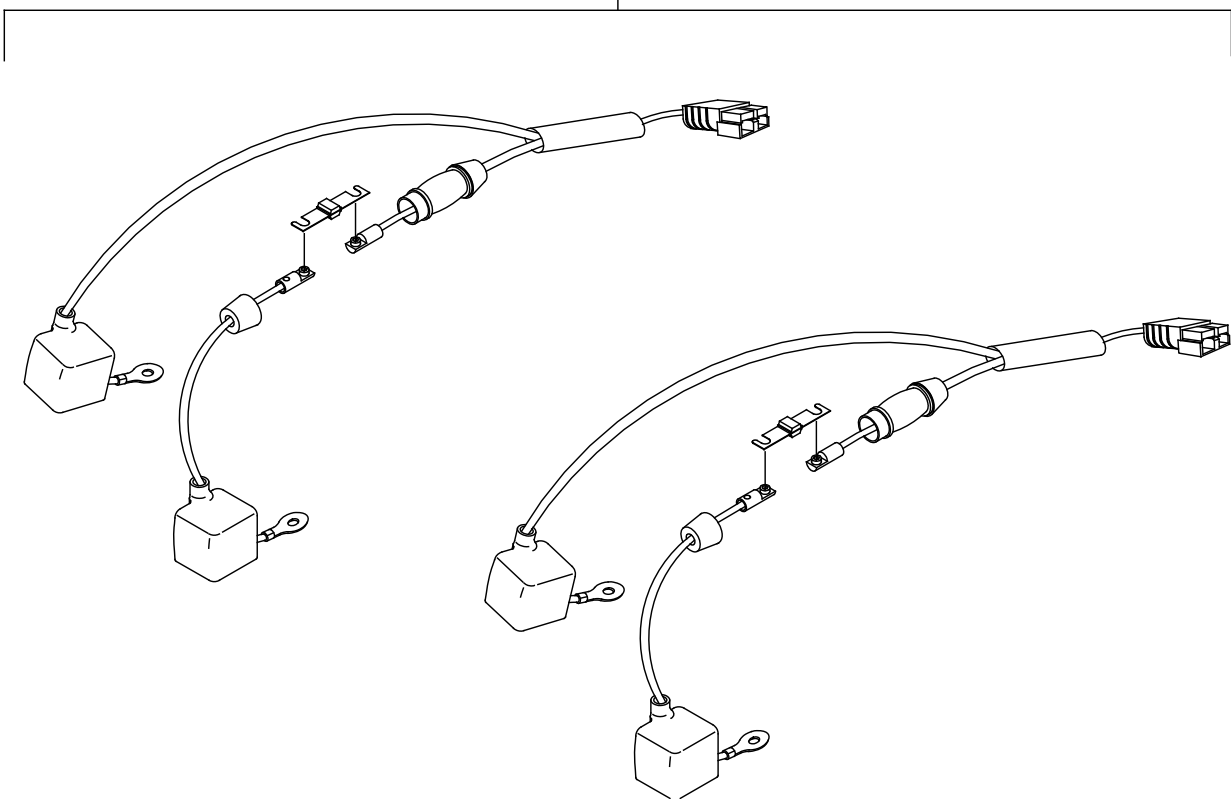
# Conectint wire, Fuse

Drawing No: S39C3

Issue Date: 05/15/2004

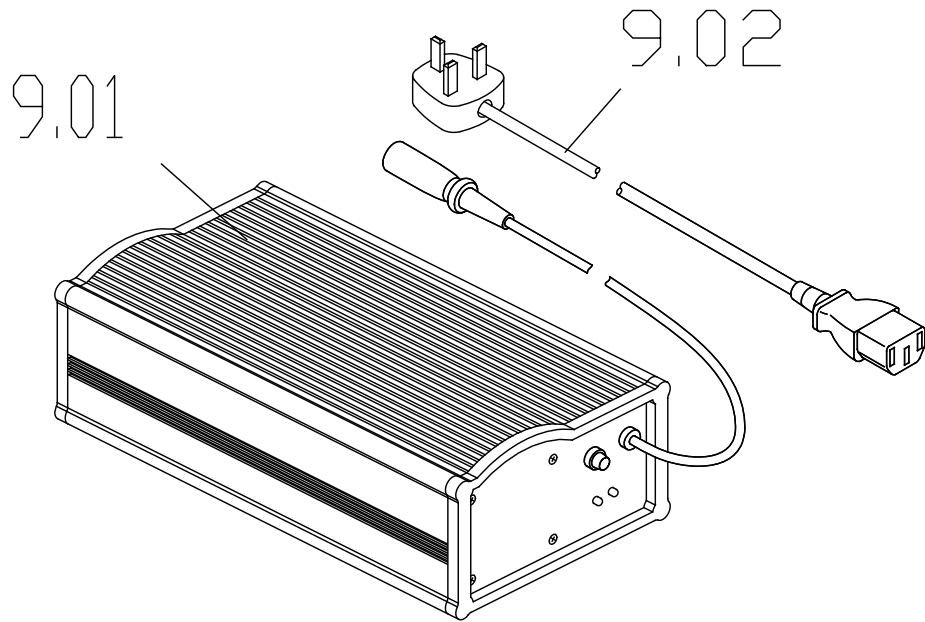
Version: 0

8.1



# Charger unit

Drawing No:	S39E6
Issue Date:	06/09/2006
Version:	0



# Belt for Battery

Drawing No:	S39F3
Issue Date:	30/07/2014
Version:	00

